

MASTER DISTRIBUTOR

: J305G-AC
 : 311 178 365
 :
 : - (/)
 :



T2 Technology

BCI		B				C				
		@25	@75	5	20			D		
6V		- T2 Technology™								
902	J305G-AC	678	175	258	315	7	311	178	365	40

. 27°C 1.75 / .
 B. 27°C 20 30°C 5 1.75 / .
 C.
 D. 127 .

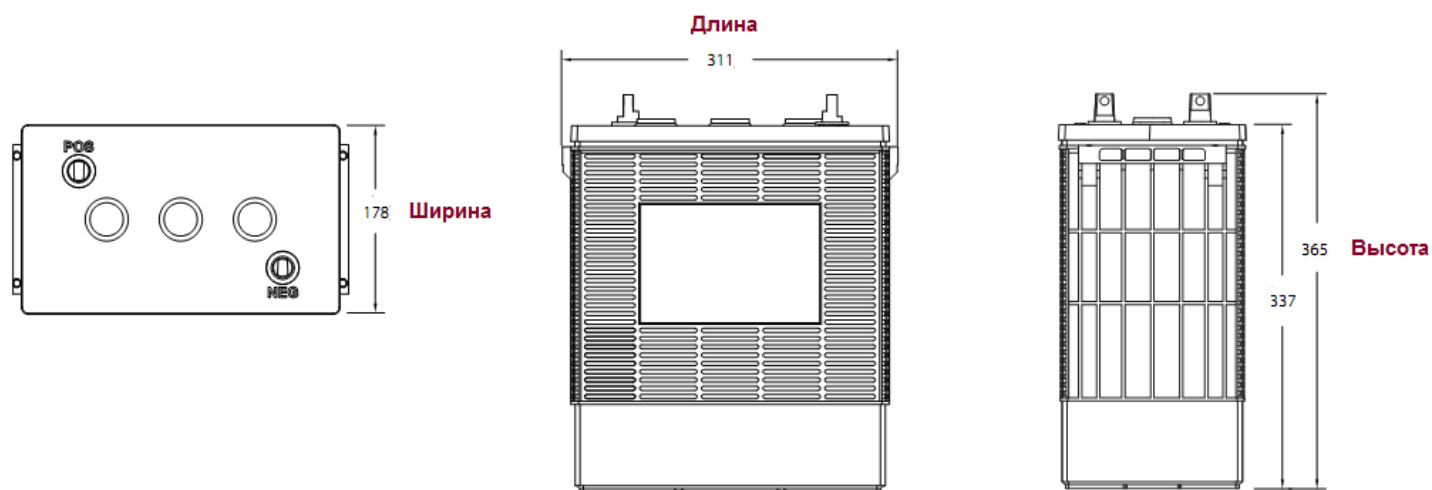
=25°C					
	6V	12V	24V	36V	48V
	7.40	14.8	29.6	44.4	59.2
	6.60	13.2	26.4	39.6	52.8
	7.75	15.5	31.0	46.5	62.0



0.028 / .- 5.55°C 25°C (0.028 / .- 5.55°C
 25°C 10°C 25°C)

-20°C...+45°C.	0° >60%	5-15%	,,
----------------	------------	-------	----

(UT),



TROJAN J305G-AC

